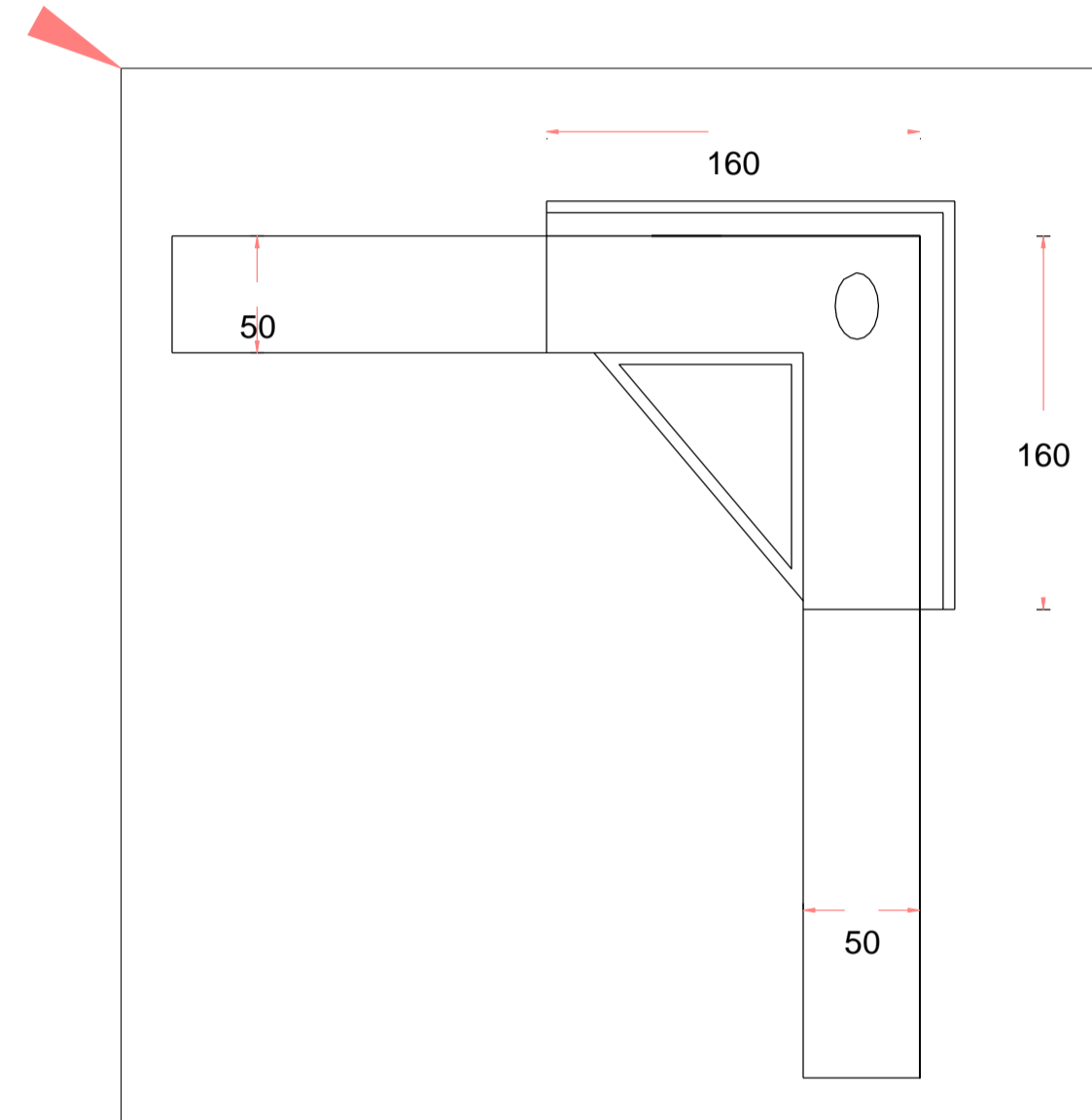


PLAN






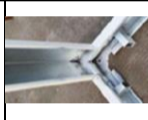





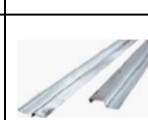




**DETACHABLE CONTAINER PLAN AND ELEVATION**



NOTE

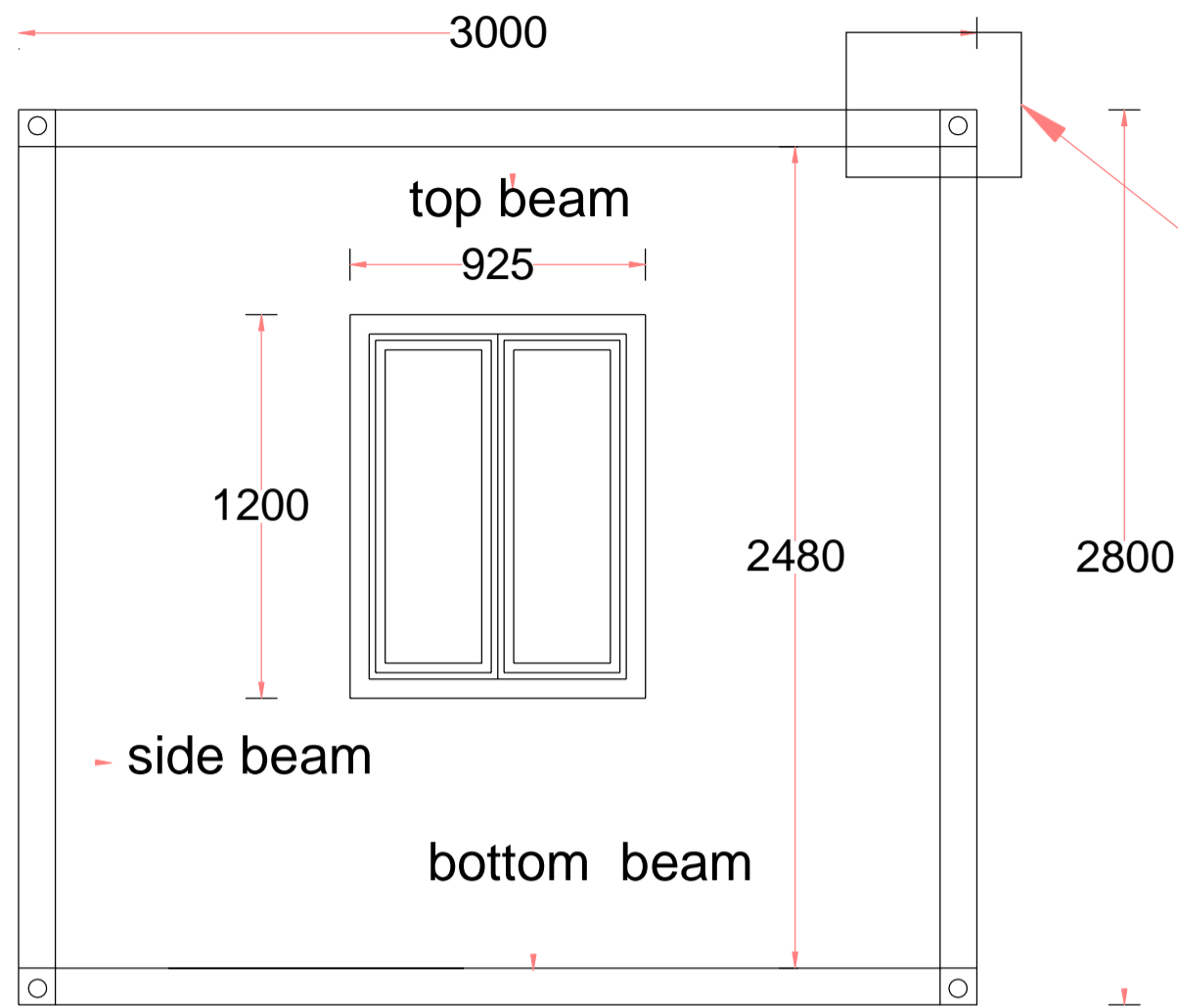
The detached container house don't include the electricity part, such like the cable, lamp, interrupter, socket, etc...The customers may purchase in local market, we could also help you purchase here according to your requirements with extro charge.

La casa contenedor desmontable no incluido la electricidad, asi como los cables, lámpara, apagador, tomacorrientes, etc...Los clientes pueden comprar en el mercado local, tambien podriamos ayudarle para comprarlos aqui en China segun su necesidad, con costo extro.

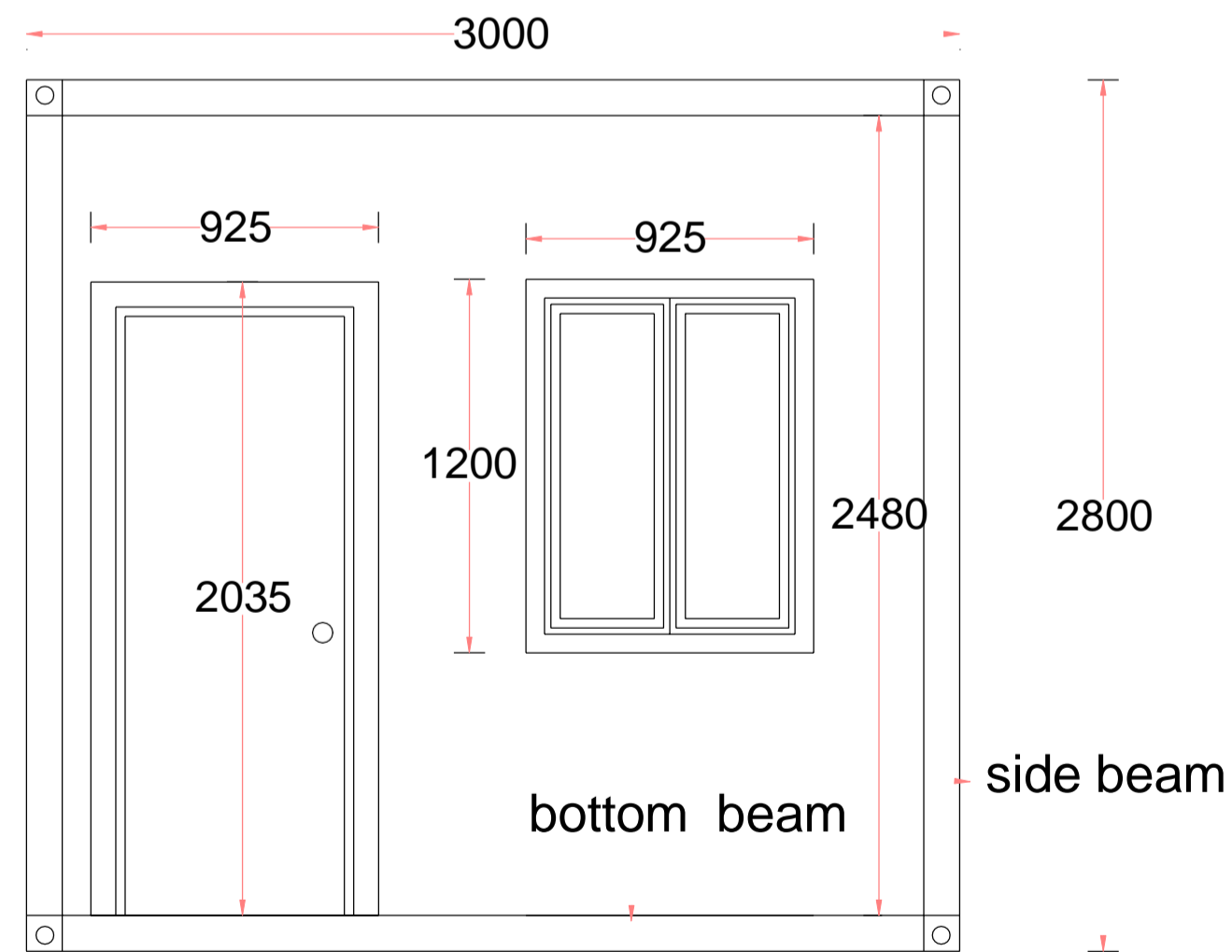
|   |   |
|---|---|
| Bottom Side Beam, bending steel plate<br>160*55*5630mm  |    |
| Bottom End Beam, bending steel plate<br>160*55*2680mm   |    |
| Top Side Beam, bending steel plate<br>160*55*5630mm   |    |
| Top End Beam, bending steel plate<br>160*55*2680mm  |    |
| Corner fittings, bending steel plate<br>steel:160*160*160*4.0mm<br>white color                |    |
| Column, bending steel plate<br>steel:160*160*2480*2.3mm,<br>white color                       |    |
| Square tube<br>80*80*2990mm,<br>40*80*2990mm  |    |
| Square tube<br>50*50*2800mm,<br>40*80*1880mm,<br>40*60*1880mm                                 |    |
| EPS panel<br>50mm Double<br>Color-coated steel EPS<br>panel (steel:0.326mm,<br>density: 12kg) |   |
| Interior Ceiling<br>900*2950*0.286mmmm  |  |
| Glass Wool<br>Thickness of 50mm<br>Glasswool Mat, Density<br>10KG/m³                          |  |
| Roof plate & groove<br>0.476mm Color Steel<br>sheet<br>white color , 1.2mm<br>groove          |  |
| MGO Board<br>1147*2790*15mm MGO<br>Fireproof Board  |  |
| Steel Door<br>one door size<br>925*2035mm Steel Door<br>flat door white color                 |  |
| Aluminum windows<br>Aluminum security window<br>925*1200mm                                    |  |
| window & door<br>edge,angle aluminum,<br>groove of wall, full set                             |  |

|  | DETACHABLE BASIC MODEL | LENGTH | WIDTH  | HEIGHT | AREA    |
|--|------------------------|--------|--------|--------|---------|
|  |                        | 5950mm | 3000mm | 2800mm | 17.85m² |

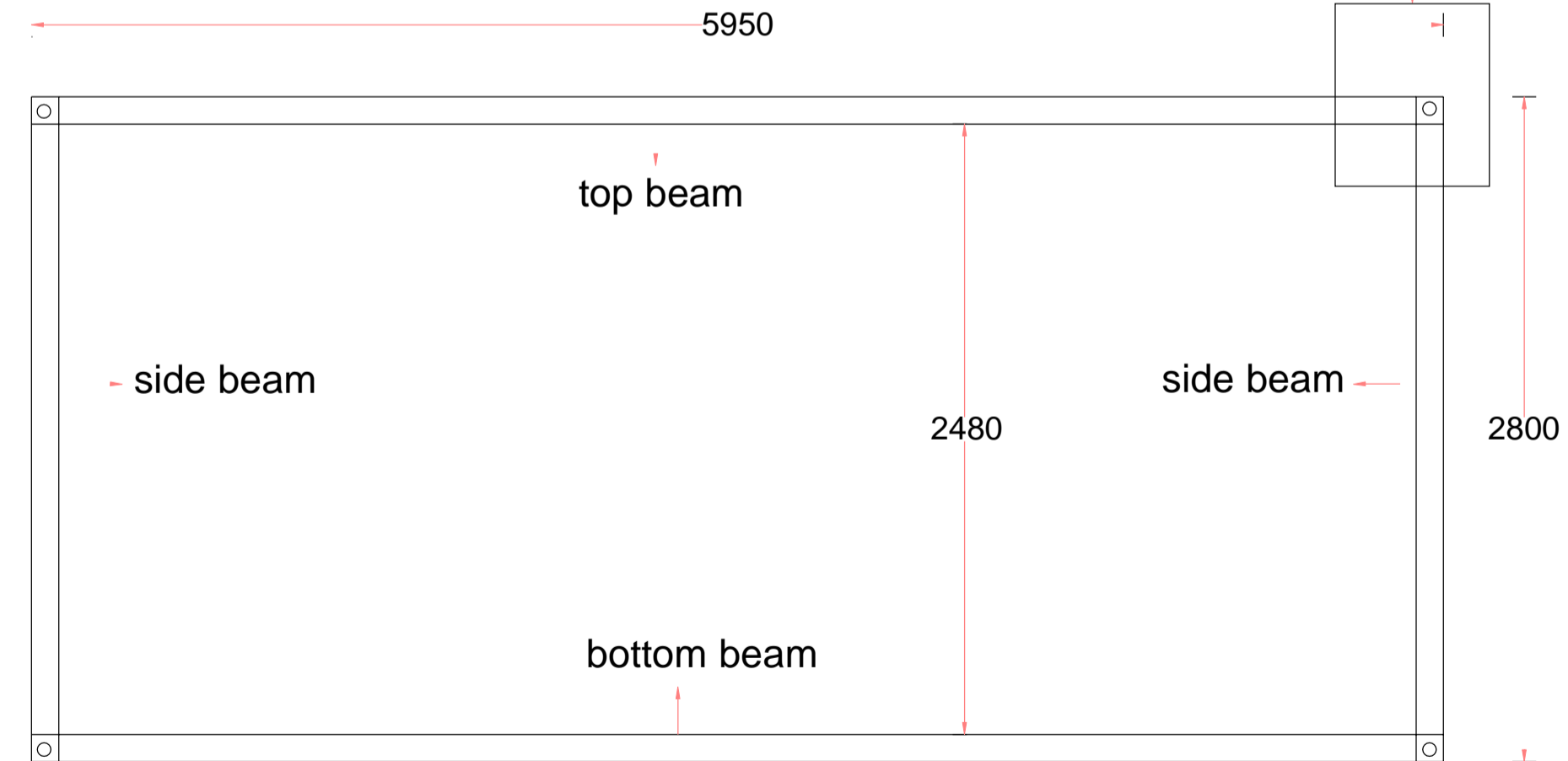
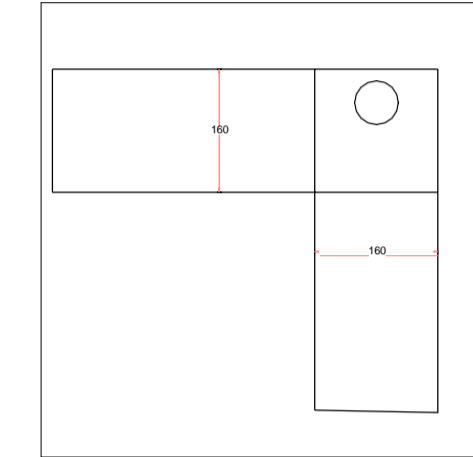
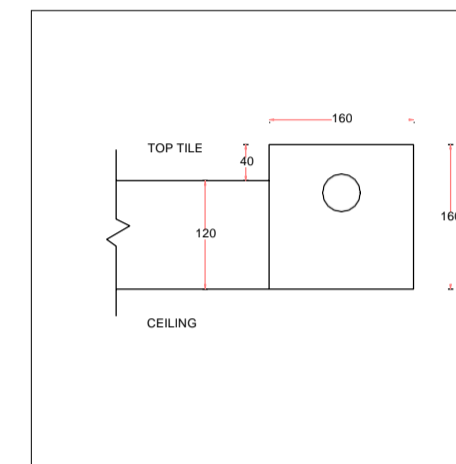
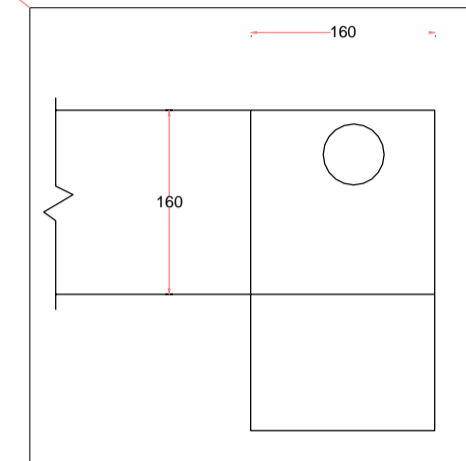
## DETACHABLE CONTAINER PLAN AND ELEVATION



















**BACK**

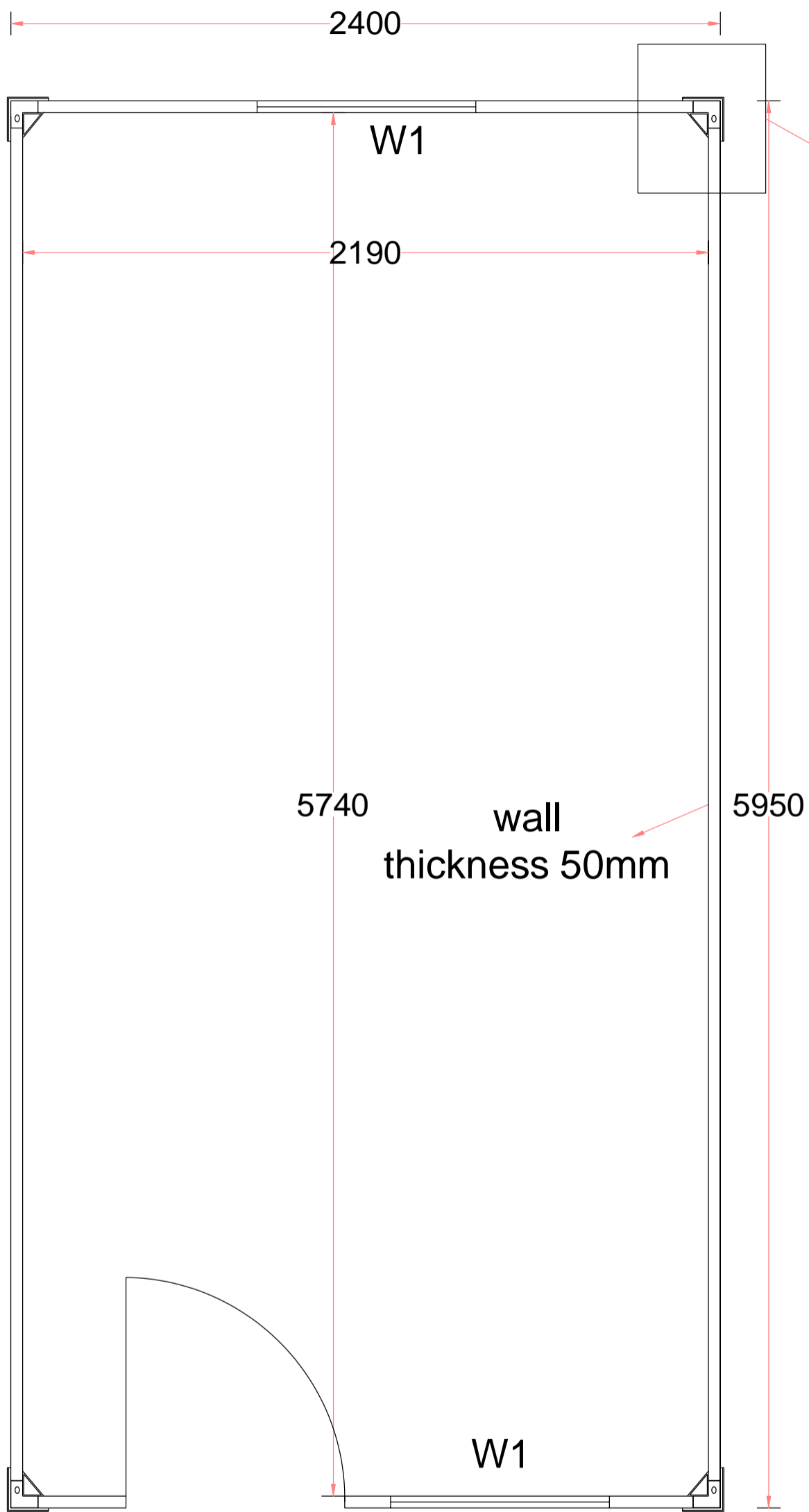


**FRONT**



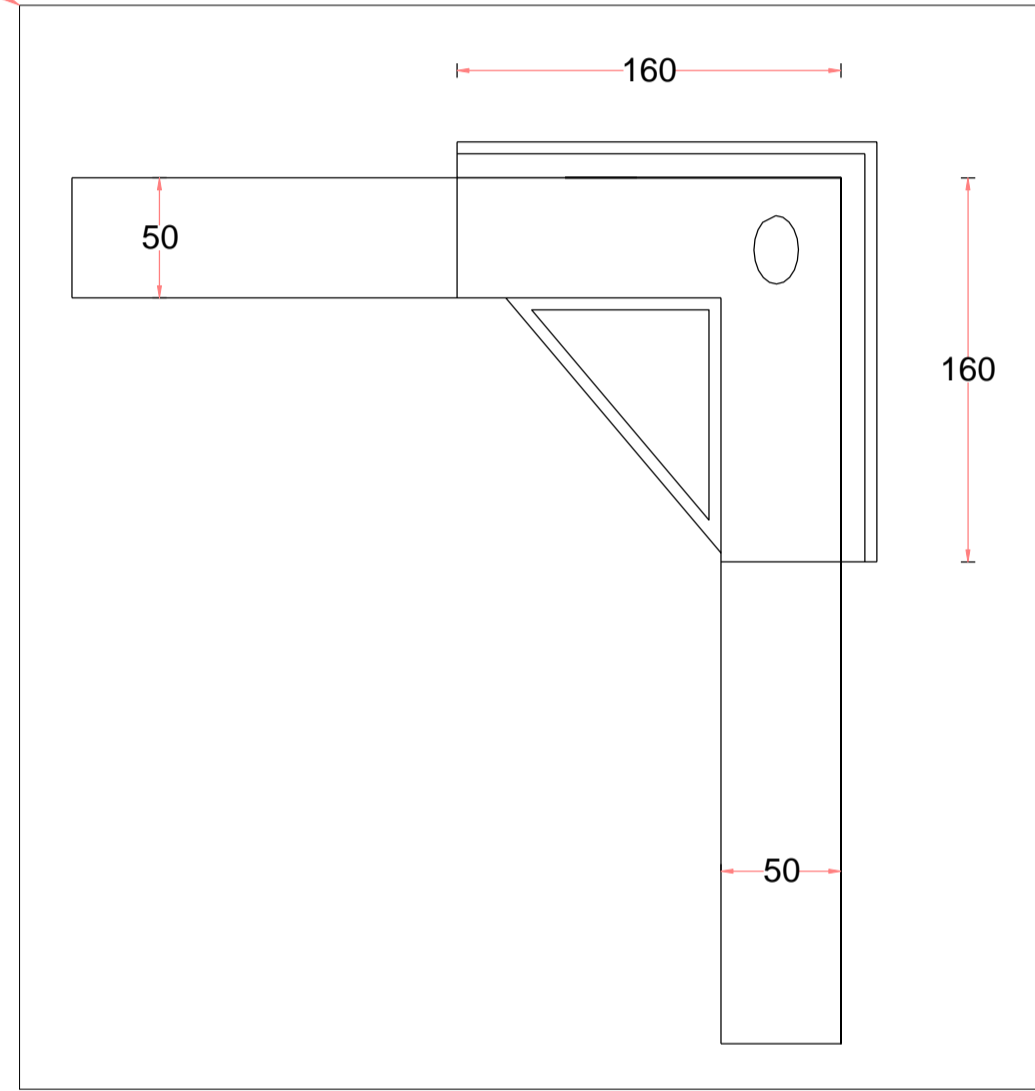
|   |   |
|---|---|
| Bottom Side Beam, bending steel plate<br>160*55*5630mm  |    |
| Bottom End Beam, bending steel plate<br>160*55*2680mm   |    |
| Top Side Beam, bending steel plate<br>160*55*5630mm   |    |
| Top End Beam, bending steel plate<br>160*55*2680mm  |    |
| Corner fittings, bending steel plate<br>steel:160*160*160*4.0mm<br>.white color               |    |
| Column, bending steel plate<br>steel:160*160*2480*2.3mm,<br>white color                       |    |
| Square tube<br>80*80*2990mm,<br>40*80*2990mm  |    |
| Square tube<br>50*50*2800mm,<br>40*80*1880mm,<br>40*60*1880mm                                 |   |
| EPS panel<br>50mm Double<br>Color-coated steel EPS<br>panel (steel:0.326mm,<br>density: 12kg) |  |
| Interior Ceiling<br>900*2950*0.286mm  |  |
| Glass Wool<br>Thickness of 50mm<br>Glasswool Mat, Density<br>10KG/m³                          |  |
| Roof plate & groove<br>0.476mm Color Steel<br>sheet<br>.white color , 1.2mm<br>groove         |  |
| MGO Board<br>1147*2790*15mm MGO<br>Fireproof Board  |  |
| Steel Door<br>one door .size<br>925*2035mm Steel Door<br>.flat door .white color              |  |
| Aluminum windows<br>Aluminum security window<br>925*1200mm                                    |  |
| window & door<br>edge,angle aluminum,<br>groove of wall, full set                             |  |

|  |                        |        |        |        |         |
|--|------------------------|--------|--------|--------|---------|
|  | DETACHABLE BASIC MODEL | LENGTH | WIDTH  | HEIGHT | AREA    |
|  |                        | 5950mm | 3000mm | 2800mm | 17.85m² |



PLAN

**DETACHABLE CONTAINER PLAN AND ELEVATION**



NOTE

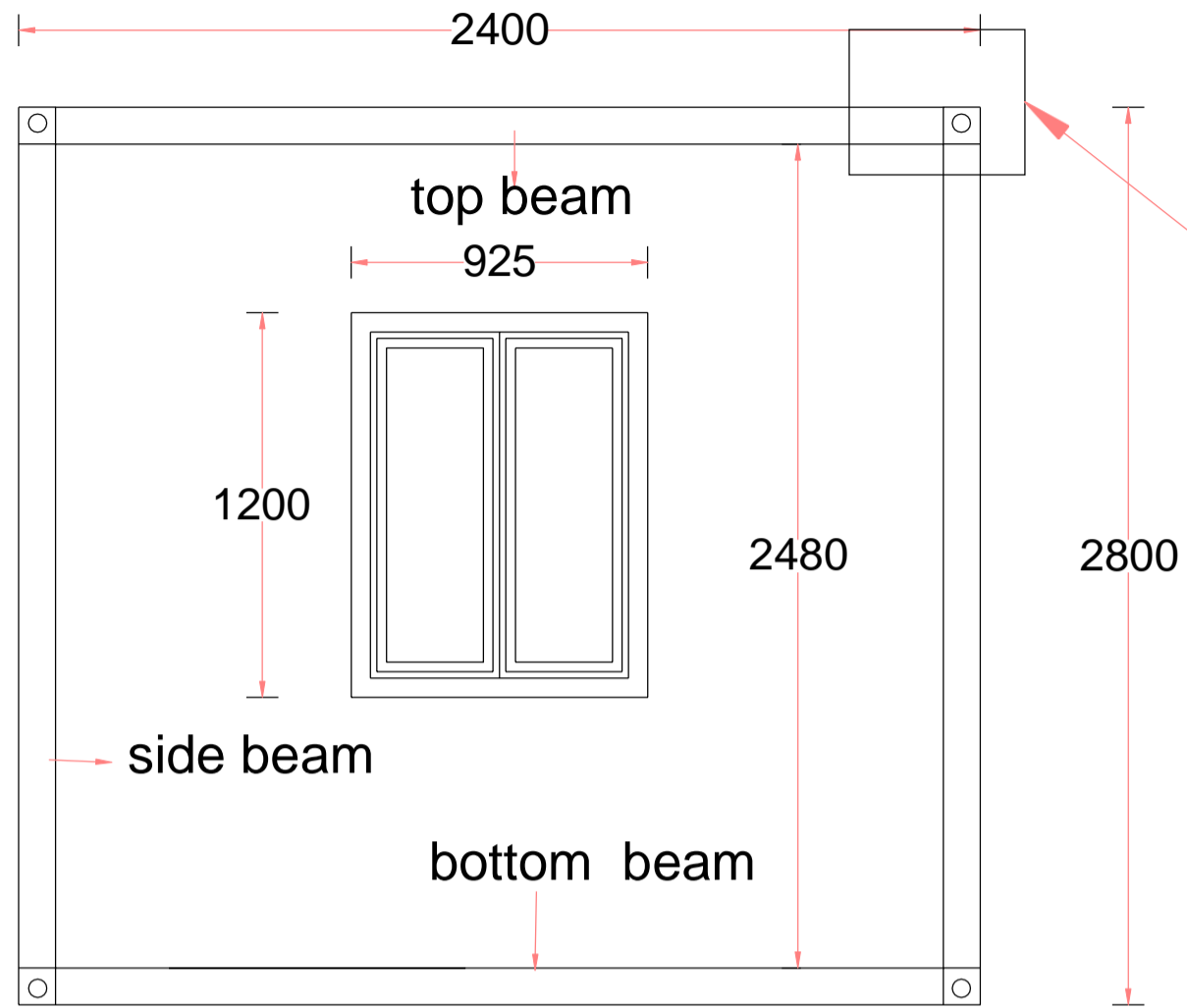
The detached container house don't include the electricity part, such like the cable, lamp, interrupter, socket, etc...The customers may purchase in local market, we could also help you purchase here according to your requirements with extro charge.

La casa contenedor desmontable no incluido la electricidad, asi como los cables, lámpara, apagador, tomacorrientes, etc...Los clientes pueden comprar en el mercado local, tambien podríamos ayudarle para comprarlos aqui en China segun su necesidad, con costo extro.

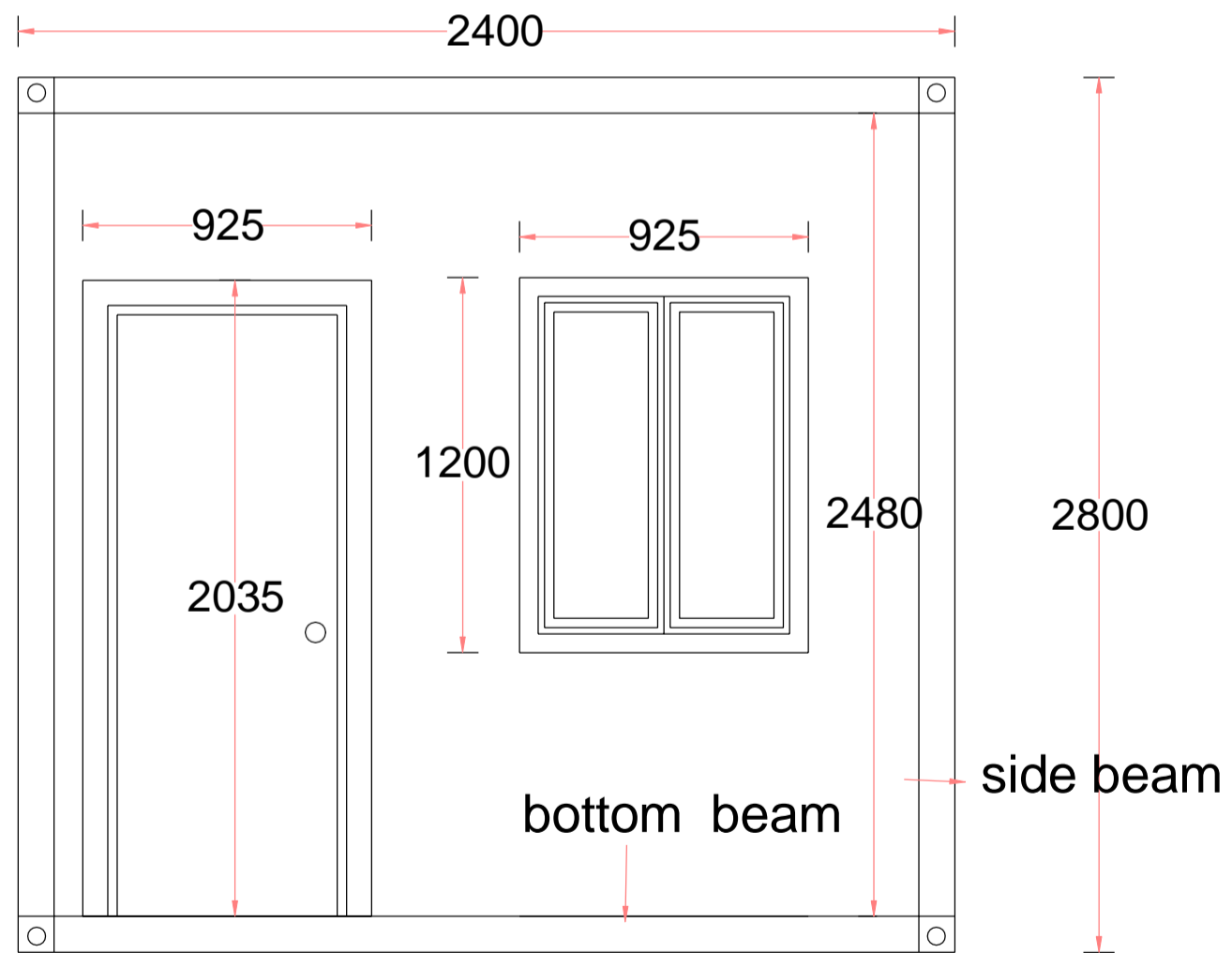
|   |  |
|---|--|
| Bottom Side Beam, bending steel plate<br>160*55*5630mm  |  |
| Bottom End Beam, bending steel plate<br>160*55*2680mm   |  |
| Top Side Beam, bending steel plate<br>160*55*5630mm   |  |
| Top End Beam, bending steel plate<br>160*55*2680mm  |  |
| Corner fittings, bending steel plate<br>steel:160*160*160*4.0mm<br>.white color               |  |
| Column, bending steel plate<br>steel:160*160*2480*2.3mm,<br>white color                       |  |
| Square tube<br>80*80*2990mm,<br>40*80*2990mm  |  |
| Square tube<br>50*50*2800mm,<br>40*80*1880mm,<br>40*60*1880mm                                 |  |
| EPS panel<br>50mm Double<br>Color-coated steel EPS<br>panel (steel:0.326mm,<br>density: 12kg) |  |
| Interior Ceiling<br>900*2950*0.286mmm   |  |
| Glass Wool<br>Thickness of 50mm<br>Glasswool Mat, Density<br>10KG/m³                          |  |
| Roof plate & groove<br>0.476mm Color Steel<br>sheet<br>.white color , 1.2mm<br>groove         |  |
| MGO Board<br>1147*2790*15mm MGO<br>Fireproof Board  |  |
| Steel Door<br>one door ,size<br>925*2035mm Steel Door<br>.flat door .white color              |  |
| Aluminum windows<br>Aluminum security window<br>925*1200mm                                    |  |
| window & door<br>edge,angle aluminum,<br>groove of wall, full set                             |  |

|  |                        |        |        |        |         |
|--|------------------------|--------|--------|--------|---------|
|  | DETACHABLE BASIC MODEL | LENGTH | WIDTH  | HEIGHT | AREA    |
|  |                        | 5950mm | 2400mm | 2800mm | 14.28m² |

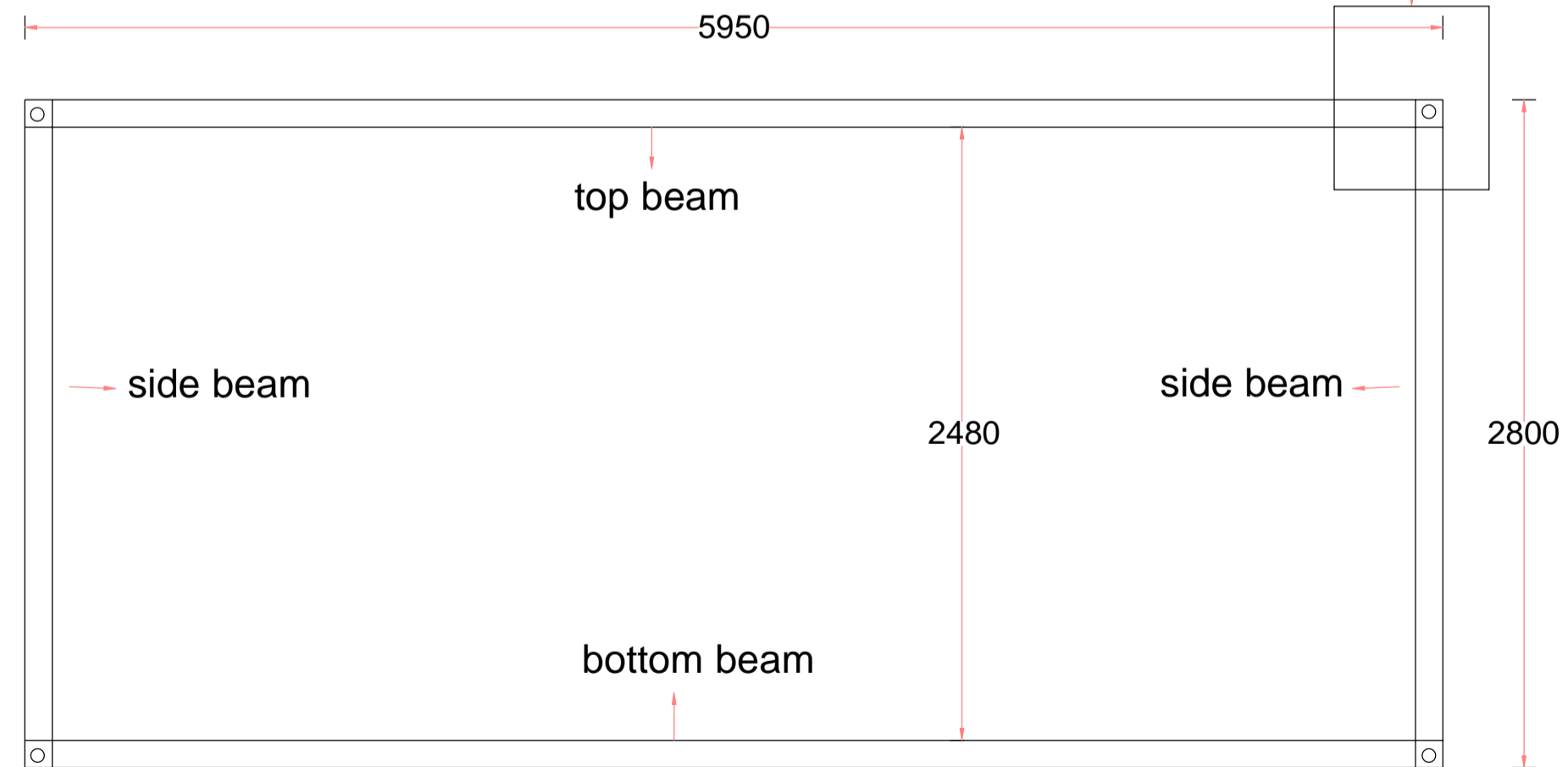
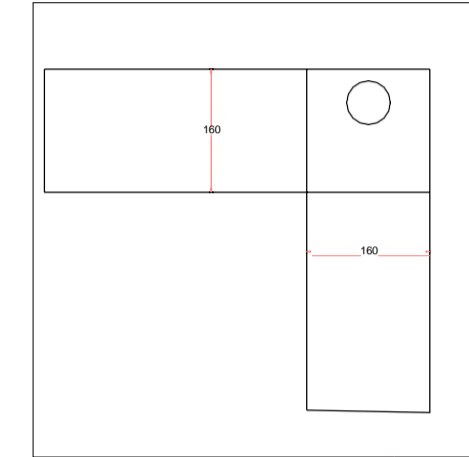
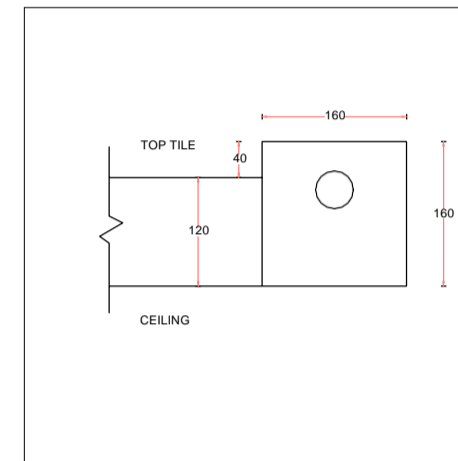
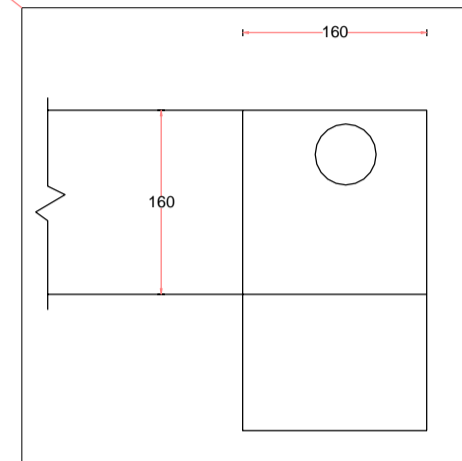
### DETACHABLE CONTAINER PLAN AND ELEVATION



BACK



FRONT



|   |  |
|---|--|
| Bottom Side Beam, bending steel plate<br>160*55*5630mm  |  |
| Bottom End Beam, bending steel plate<br>160*55*2680mm   |  |
| Top Side Beam, bending steel plate<br>160*55*5630mm   |  |
| Top End Beam, bending steel plate<br>160*55*2680mm  |  |
| Corner fittings, bending steel plate<br>steel:160*160*160*4.0mm<br>.white color               |  |
| Column, bending steel plate<br>steel:160*160*2480*2.3mm,<br>white color                       |  |
| Square tube<br>80*80*2990mm,<br>40*80*2990mm  |  |
| Square tube<br>50*50*2800mm,<br>40*80*1880mm,<br>40*60*1880mm                                 |  |
| EPS panel<br>50mm Double<br>Color-coated steel EPS<br>panel (steel:Q.326mm,<br>density: 12kg) |  |
| Interior Ceiling<br>900*2950*0.286mm  |  |
| Glass Wool<br>Thickness of 50mm<br>Glasswool Mat, Density<br>10KG/m³                          |  |
| Roof plate & groove<br>0.476mm Color Steel<br>sheet<br>white color , 1.2mm<br>groove          |  |
| MGO Board<br>1147*2790*15mm MGO<br>Fireproof Board  |  |
| Steel Door<br>one door .size<br>925*2035mm Steel Door<br>.flat door .white color              |  |
| Aluminum windows<br>Aluminum security window<br>925*1200mm                                    |  |
| window & door<br>edge,angle aluminum,<br>groove of wall, full set                             |  |

|  | DETACHABLE BASIC MODEL | LENGTH | WIDTH  | HEIGHT | AREA    |
|--|------------------------|--------|--------|--------|---------|
|  |                        | 5950mm | 2400mm | 2800mm | 14.28m² |